

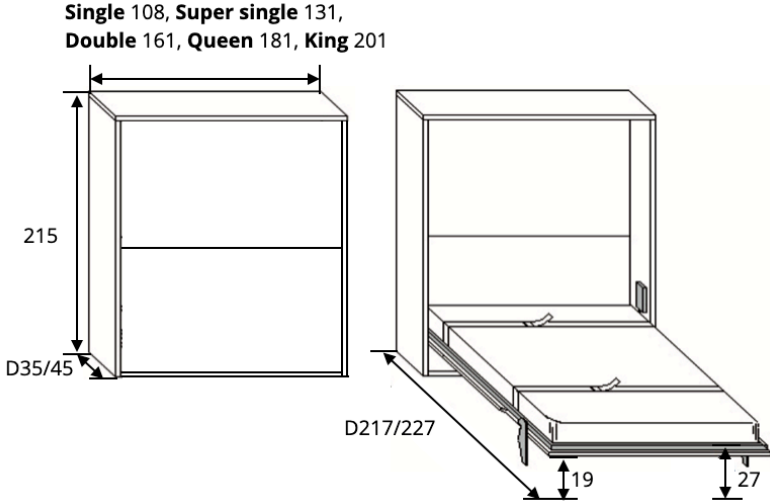
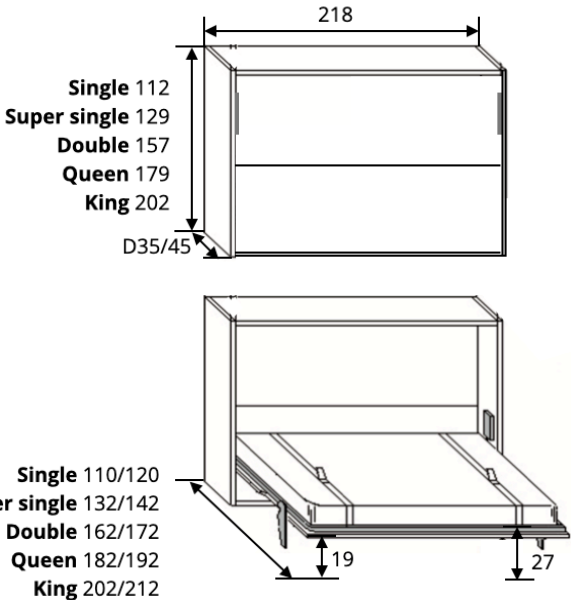
SPACEMAN MURPHY BED SIZES

LIBERTY, SLUMBERDESK, SLUMBERDINE, SLUMBERSOFA* AND SLUMBERTV*

Horizontal

Vertical

All dimensions in centimetres.



Depths available:

- 35cm
- 45cm with inner shelves (most models have this option for pillow storage + shelves.)

Enjoy **50% off** your mattress with any Murphy bed purchase.

- Venus** foam
 - Saturn** latex
 - Jupiter** memory foam
 - Sirius** hybrid foam[^]
 - Orion** hybrid memory foam[^]
 - Polaris** hybrid pocket springs[^]
- [^] available in linen, graphene or cool covers

Mattress maximum dimensions & weight

- Single: W90 x 200 x H18 (15-23kg)
- Super S: W110 x 200 x H18 (18 - 25kg)
- Double: W140 x 200 x H18 (20 - 28kg)
- Queen: W160 x 200 x H18 (23-31kg)
- King: W180 x 200 x H18 (25 - 33kg)

*For Slumbersofa and SlumberTV range, add 22cm to the height shown.

NOTES:

.....

.....

.....

.....

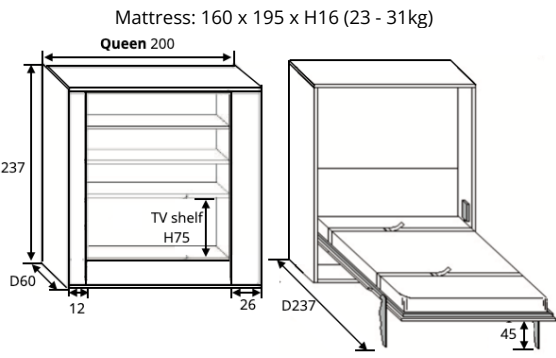
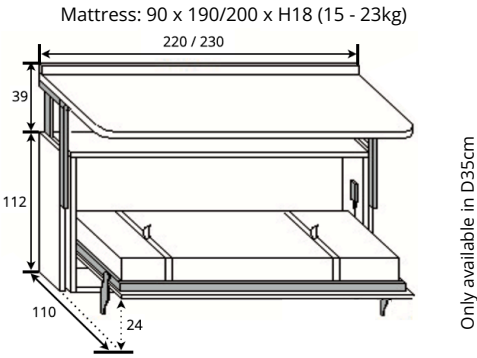
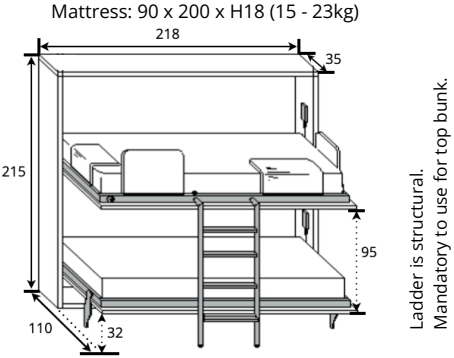
.....

.....

TUCKIN BUNK BEDS

SLUMBERDESK JUNIOR

SLUMBERSHELVES



For sizes of sofas or optional cabinetry (wardrobes, shelves, drawers, desks etc.) or if you wish to customise the murphy bed size, please contact us. Dimensions for other products and product images and videos for all models available at www.spaceman.com



Liberty

Slumberdesk

Slumbersofa

SlumberTV

Slumbershelves

Tuckin Bunk Beds

Widest range of murphy beds and space saving furniture in Singapore

Choose a simple murphy bed or bunk beds, or combine with sofa, desk, TV consoles, to maximise space in your living room and bedrooms. Install on brick, concrete or partition walls, or free-standing options are available.

High quality made in Italy

Spaceman murphy beds (mechanism and cabinetry) are fully made in Italy in our specialist murphy bed factory to adhere to strict European quality standards. Choose from 70 Italian melamine, paint lacquer or real wood veneer finishes or print any image on the front or inside the bed. All made with Italian top class factory sealed cabinetry.



The most advanced murphy bed system

Soft open system means the bed glides effortlessly to the floor. No need for you to keep hold or manually lower it. The bed won't be left hanging mid-air where it could be hazardous or come down unexpectedly and most models can also be left open a few degrees if airing is desired. With maintenance free gas springs and automatically opening legs this is the most advanced system in Singapore.

All Spaceman beds come with an orthopaedic slatted bed base which allows for maximum support and air circulation.

Exclusive innovative hidden mechanism

Unique concealed mechanism and luxury murphy bed designs for that hotel chic feel.

Value for money

Instead of getting two pieces of furniture, one multifunction murphy bed can double up in function and double your space. All Spaceman beds and cabinetry can be easily dismantled which means you can take them to your new place when you move.






50% off a mattress when purchased with a bed

Branded foam, latex and memory foam mattresses with warranty which are high quality, anti-dust mite, anti-fungal and anti-bacterial. Take advantage of our mattress promotion and know your mattress is made for you, to work perfectly with the murphy bed.

Let us be your space saving hero.

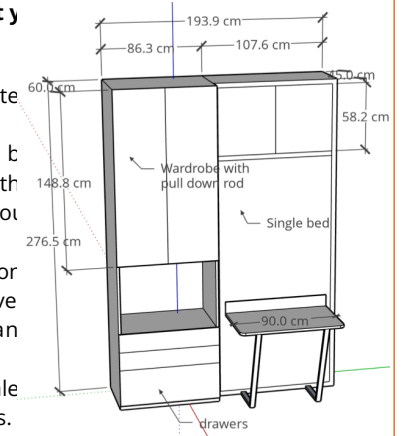
WhatsApp 8784 3680 ~ call 6527 2271 ~email store@spaceman.com

Customise your own Murphy bed

 70 finishes	 Multifunctional	 4 sizes and 2 configurations	 Wide range of cabinetry
--	--	--	---

Italian cabinetry to complement y

- Perfectly match the bed's finish.
- Can be dismantled and relocate in the future
- Most adjoining cabinetry can be combined with or joined to the bed frame for a sleek look, without affecting warranty.
- Wide variety of matching options including wardrobes, bookshelves, display cabinets, shelving and desks etc.
- 70 Italian top class factory sealed finishes with 35/45/60cm depths.
- 2 year warranty.



Peace of mind

Spaceman has been pioneering space saving furniture since 2011, offering exclusive quality furniture to combat shrinking homes, delivered and installed by our experienced team.

Our wall beds come with 5 years on the mechanism and 2 years on the frame against manufacturing defects, regardless of how many times you open the bed (cycles). See: spaceman.com/warranty for details.

Visit spaceman.com for more space saving ideas and to check out more space saving sofa beds, dining tables, kids/teens' bedrooms, and home office solutions.

